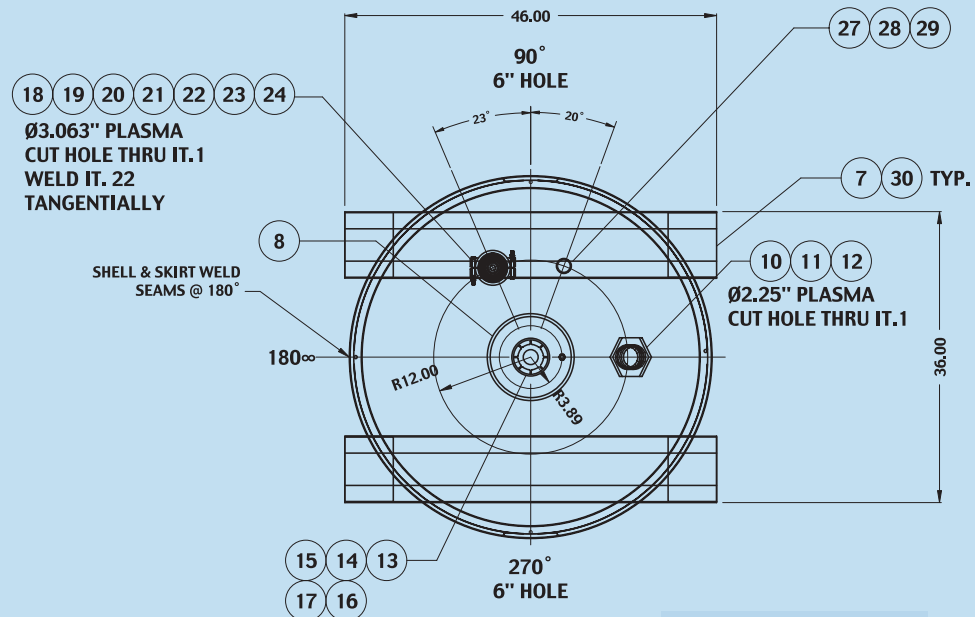
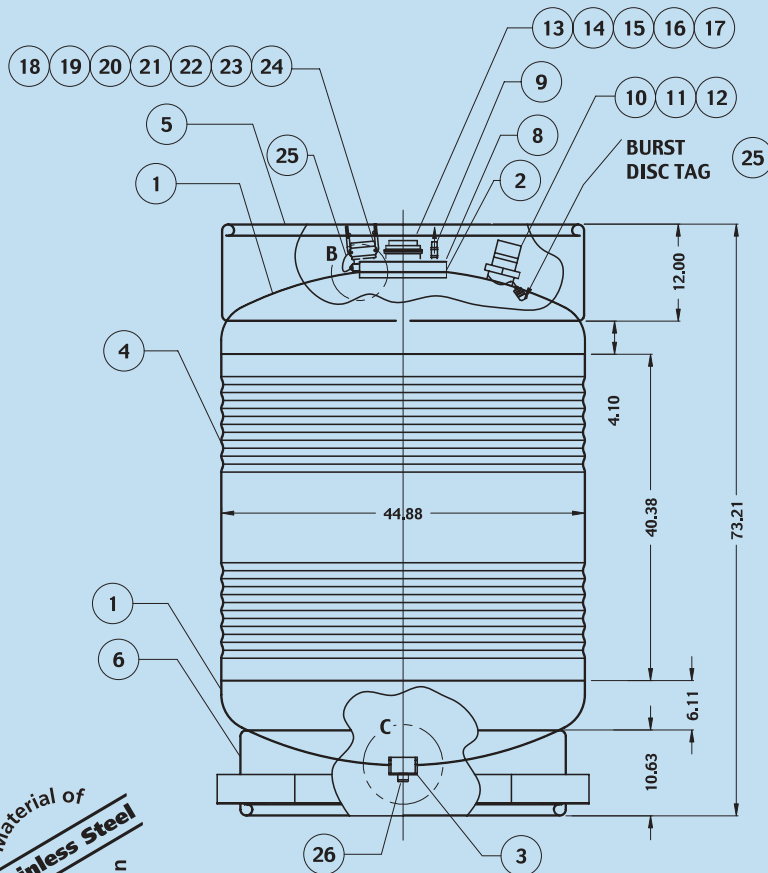




BILL OF MATERIALS							
ITEM	DESCRIPTION	QTY	MATERIAL DESCRIPTION	ITEM	DESCRIPTION	QTY	MATERIAL DESCRIPTION
1	1140mm DOME	2	2.5mm 304 SS	17	FLOUR NECK	1	304 SS
2	10" SCH. 10 PIPE X 2" LG	1	304 SS	18	1 1/2" KAMVALOK ADPT.	1	304 SS
3	DOWNTUBE HOLDER	1	304 SS	19	3" FERRULE - TRI CLAMP	1	304 SS
4	1140mm BODY 40.38" TALL	1	12GA 304 SS (2.5mm)	20	3" TRI-CLAMP CAP	1	304 SS
5	12" SKIRT W 2 - 6.437" EXTR. HOLES	1	12GA 304 SS (2.5mm)	21	3" TC CLAMP - HIGH PRESS.	1	304 SS
6	10.63" SKIRT W/ FORK CUTOUTS	1	12GA 304 SS (2.5mm)	22	3" TRI-CLAMP GASKET	1	TEFLON
7	FORK LIFT CHANNEL	2	11GA 304 SS (3mm)	23	2" KAMVALOK DUST CAP	1	304 SS
8	10.75" X .38" PLATE	1	.38" 304 SS	24	2" TEFLON GASKET	1	TEFLON
9	10 PSI PRESSURE RELIEF W/ KALREZ GASKET & DARK RED CAP	1	SS	25	1/16" x 12" COATED LANYARD W/CRIMPS	1	GALV/NYLON
10	UNION HOLDER - BURST DISC - WELD ON	1	304 SS	26	3/4" PLUG WITH ALLEN SOCKET	1	304 SS
11	15PSI BURST DISC	1		27	1 1/4" HALF COUPLING	1	304 SS
12	2" PE PLUG	1	PLASTIC	28	1/2" QTC QUICK CONNECT	1	304 SS
13	4" TRI-CLAMP FERRULE	1	304 SS	29	1-1/4" NPTx1/2" NPT REDUCER BSHNG.	1	304 SS
14	4" TRI-CLAMP CAP	1	304 SS	30	FORK CHANNEL CLOSURE PLATE	4	14G 304 SS (2mm)
15	4" TC CLAMP - HIGH. PRESS.	1	304 SS				
16	4" TRI-CLAMP GASKET	1	TEFLON				

Chemical	Weight (lbs)	Grade	Part Number
1-Propanol	2180	CMOS™	9061
2-Propanol	2180	Finyte™-1	5986
Acetone	2180	CMOS	9015
BTS-220 (PGMEA)	2664	BAKER ALEG™	6333
BTS-280 (Ethyl Lactate)	2880	BAKER ALEG	6312
n-Butyl Acetate	2431	CMOS	9171
Chlorobenzene	3070	CMOS	9179
Hexamethyldisilazane	2130	CMOS	9362
Hexamethyldisilazane	2130	Finyte	5798
Methanol	2180	CMOS	9063
Xylenes	2380	CMOS	9483



Material of
Stainless Steel
 Construction

Mallinckrodt Baker