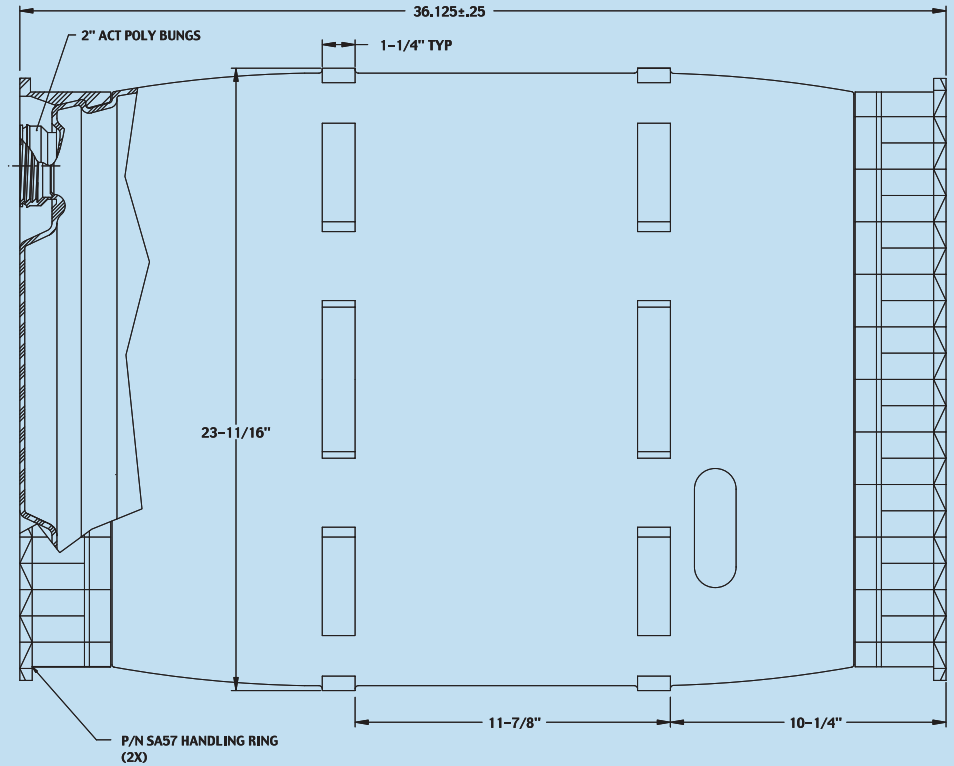
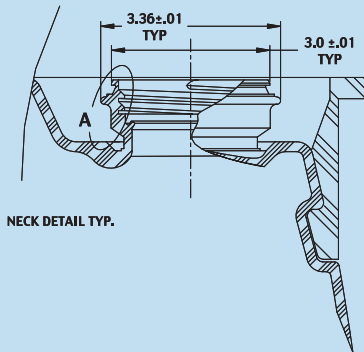
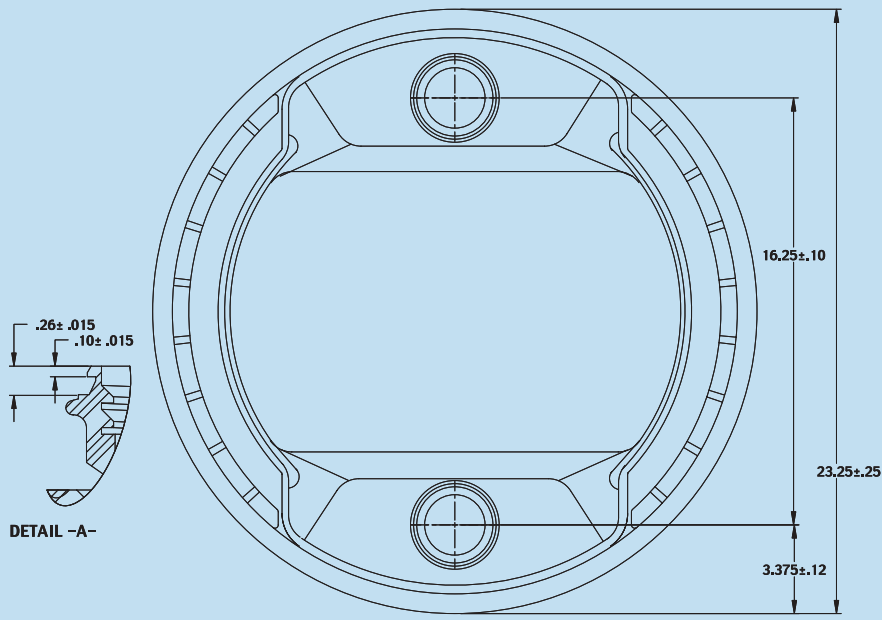




Chemical	Weight (lbs)	Grade	Part Number
Hydrochloric Acid	475	CMOS™	9529
Hydrochloric Acid	475	Finyte™	5814



Material of
HDPE
Construction

Mallinckrodt Baker