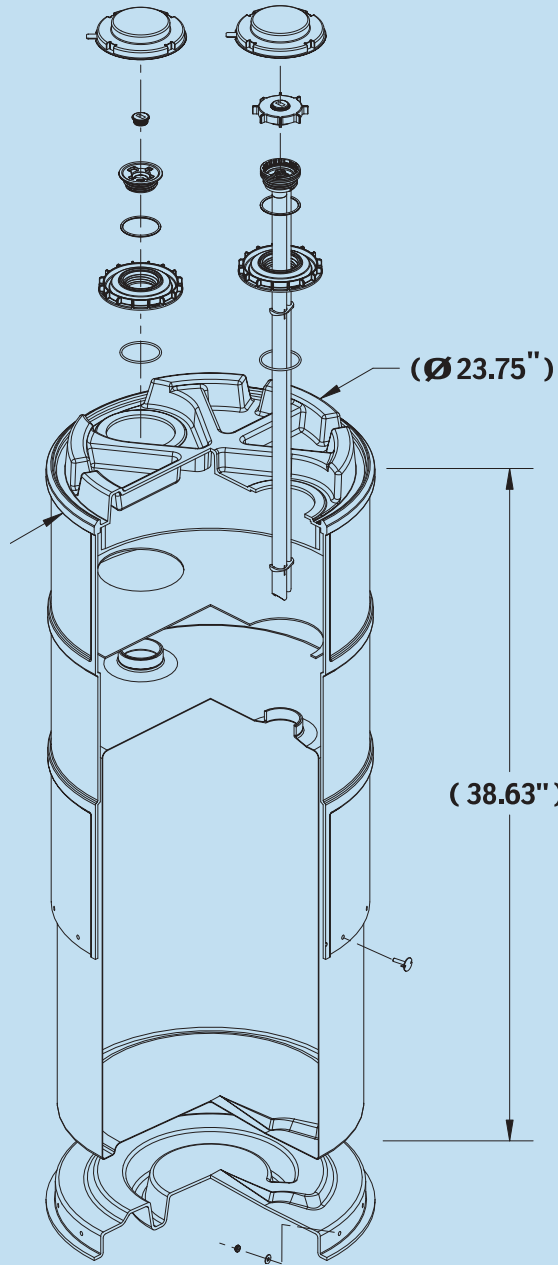


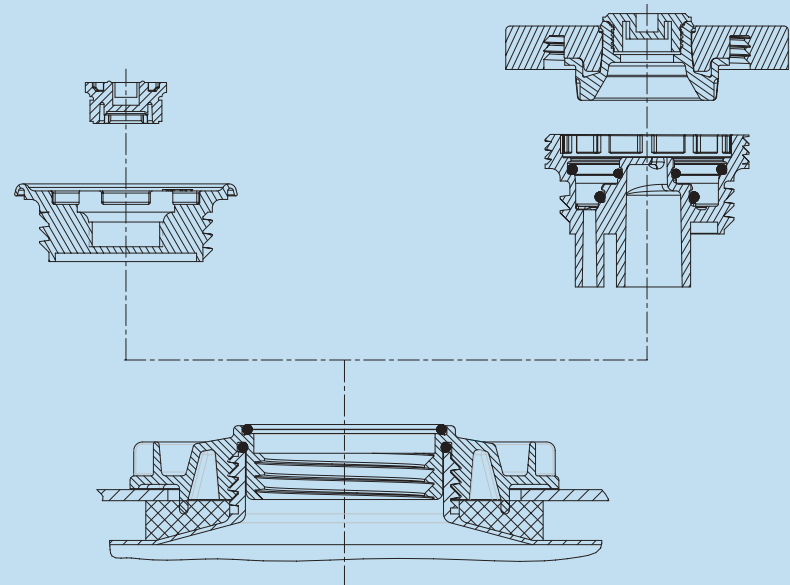


Microelectronic Materials

CONTAINER SPECIFICATIONS: 55 Gallon PFA/PE Composite Drum



Chemical	Weight (lbs)	Grade	Part Number
Nitric Acid	605	CMOS™	9616
Nitric Acid	605	Finyte™	5876



Mallinckrodt Baker